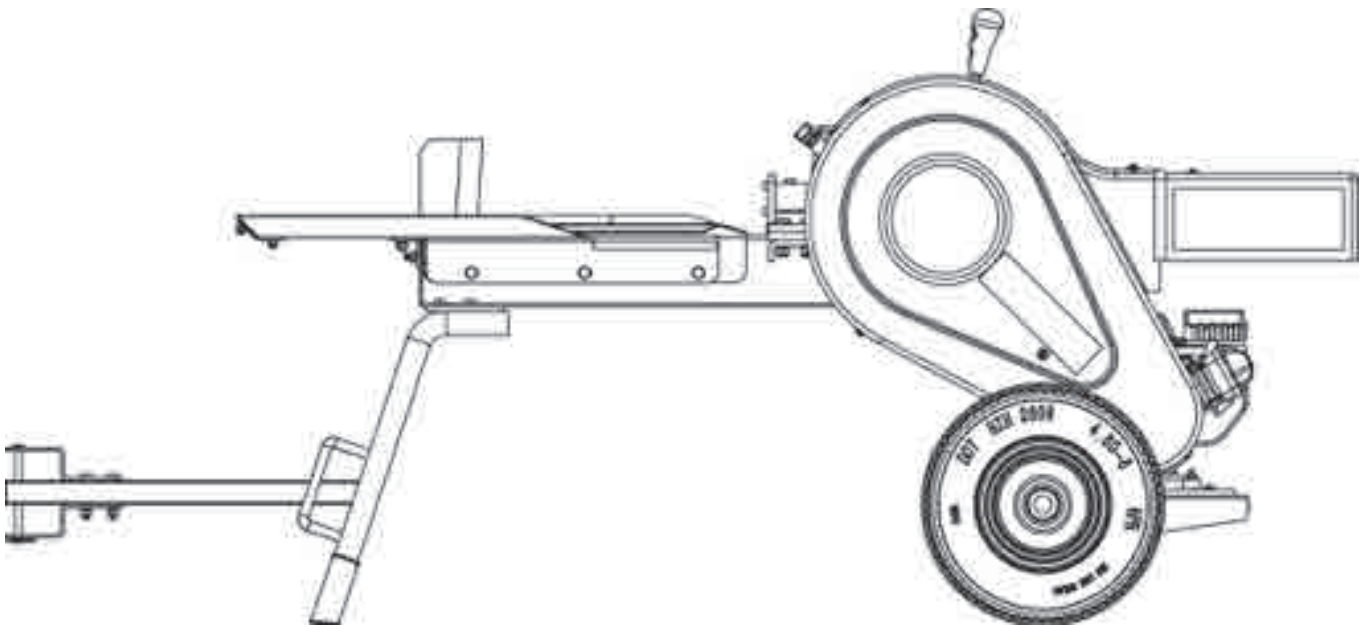


T20 KINETIC LOG SPLITTER

Instruction & Assembly Manual



Patent Pending

Assembly and troubleshooting video at www.ytlinternational.com

SAVE THESE INSTRUCTIONS FOR FUTURE REFERENCE

Table of Contents

General Warnings and Rules.....	3
Hazard Signal Word Definitions.....	4
Assembly Instructions.....	5-11
Kinetic Splitter General Instructions.....	12
Operation Instructions.....	13-14
Maintenance and Storage.....	15-16
Troubleshooting.....	16
Specifications.....	17
Parts Drawing & Parts List.....	18-22
Limited Warranty.....	23



GENERAL WARNING



READ and UNDERSTAND this manual completely before using T20 Log Splitter.

Operator must read and understand all safety and warning information, operating instructions, maintenance and storage instructions before operating this equipment. Failure to properly operate and maintain the log splitter could result in serious injury to the operator or bystanders.

Operation Warnings

- Do not at any time carry passengers, sit or stand on the log splitter.
- Do not allow children to play on, stand upon or climb on the log splitter.
- Always inspect the log splitter before using to assure it is in a good working condition.
- Replace or repair damaged or worn parts immediately.
- Always check and tighten hardware and assembled parts before operation.
- Avoid large holes and ditches when towing the equipment.
- Always operate the log splitter on clear and level ground.
- Do not operate the log splitter at night, only during daylight hours.
- Always tow at reduced speed in rough terrain, along creeks, ditches and on hillsides.
- To avoid personal injury and/or equipment damage **DO NOT EXCEED 10MPH.**
- Keep bystanders, children, and helps at least 25 ft. away.

Crush and Cut Hazards

- Always keep hands and feet clear from moving parts while operating the equipment.
- Always clear and keep work area clean and free of debris when operating.
- Always wear safety gear, eye protection, gloves and work boots when operating the log splitter.

WARNING

The warnings, cautions, and instructions outlined in this instruction manual cannot cover all possible conditions or situations that may occur. It must be understood by the operator that common sense and caution are factors which cannot be built into this product and must be supplied by the operator.






PROP 65 WARNING

The engine exhaust from this product contains chemicals known to the state of California to cause cancer, birth defects, or other reproductive harm.

Assembly Is Required

This product requires assembly before use. See "Assembly" section for instructions. Because of the weight and/or size of the log splitter, it is recommended that another adult be present to assist with the assembly. **INSPECT ALL COMPONENTS** closely upon receipt to make sure no components are missing or damaged.

Hazard Signal Word Definitions

	<p>This is the safety alert symbol. It is used to alert you to potential personal injury hazards. Obey all safety messages that follow this symbol to avoid possible injury or death.</p>
	<p>DANGER indicates an imminently hazardous situation which, if not avoided, will result in death or serious injury.</p>
	<p>WARNING indicates a potentially hazardous situation which, if not avoided, could result in death or serious injury.</p>
	<p>CAUTION indicates a potentially hazardous situation which, if not avoided, may result in minor or moderate injury.</p>
	<p>CAUTION used without the safety alert symbol indicates a potentially hazardous situation which, if not avoided, may result in property damage.</p>

Technical specifications on the log splitter are provided in the “Specifications” section of this manual.



WARNING

Read and follow all instructions for assembly and operation. Failure to properly assemble this equipment could result in serious injury to the user or bystanders, or cause equipment damage.



Engine Shipped Without Oil.

Before starting engine, fill with SAE 10W-30 motor oil. See engine manual for engine oil capacity.

Inspect all Log Splitter Components.

If you have damaged components: Contact the freight company that delivered the log splitter and file a claim.

T20 LOG SPLITTER ASSEMBLY

Set the shipping crate on a solid flat surface and carefully remove the lid. Use two people and take all parts out of the shipping crate and inspect the components to ensure there are no missing pieces before starting to assemble the log splitter follow steps 1 through 13.

TOOLS REQUIRED

- 13mm, 16mm, 18mm Wrenches
- 4mm, 5mm, 6mm Allen Wrenches
- Adjustable Wrench
- Needle Nose pliers

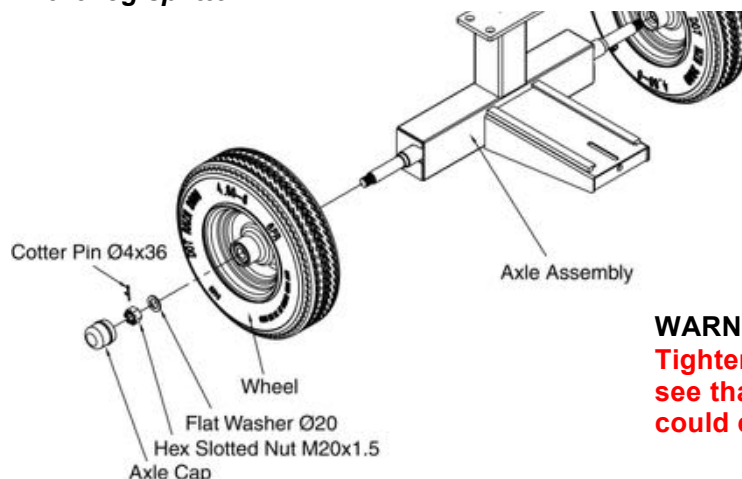
FLAT WASHERS ALWAYS GO ON NUT SIDE.

Assembly Instructions

STEP 1: Install Wheels on the Axle Assembly

1. Attach the wheels to the axle assembly using flat washer $\text{\O}20$ (x1) and hex slotted nut M20x1.5(x1), ensuring nipple is outward. After hex slotted nut is tightened, turn back 1/4 cycle to make sure the wheel can rotate smoothly. Lock the hex slotted nut M20x1.5 in place using cotter pin $\text{\O}4 \times 36$ (x1). Install the axle cap on the end using rubber hammer. Repeat on the other wheel.

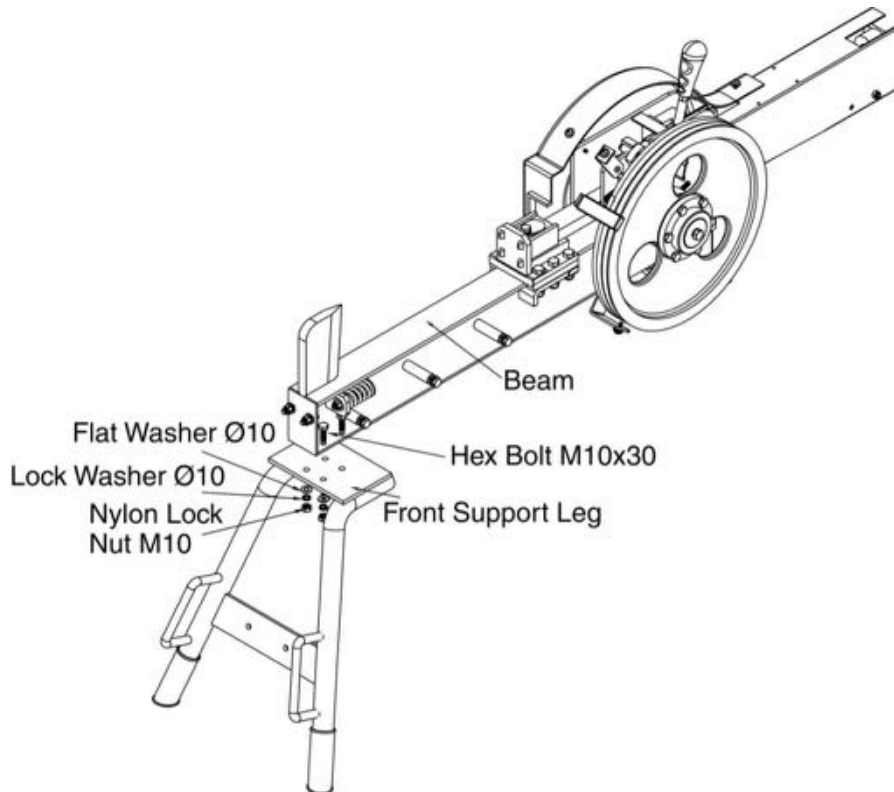
Note: flat washer $\text{\O}20$, hex slotted nut M20x1.5 and cotter pin $\text{\O}4 \times 36$ are already assembled in the log splitter.



WARNING: Slotted nut should only be snug. Tighten to approximately 5 ft-lb and check to see that wheel still turns freely. Over tightening could cause bearing to seize when towing.

STEP 2: Attach the Front Support Leg to the Beam

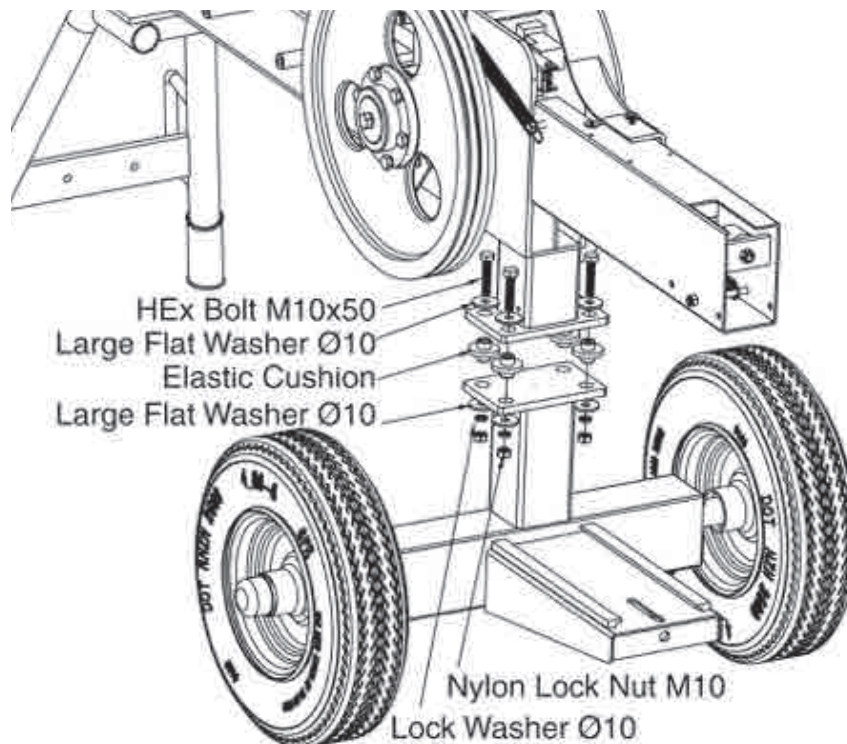
1. Attach the front support leg to the beam using hex bolt M10x30(x4), flat washer Ø10(x4), lock washer Ø10(x4) and nylon lock nut M10(x4). Tighten all hardware.



STEP 3: Attach Beam to the Axle Assembly

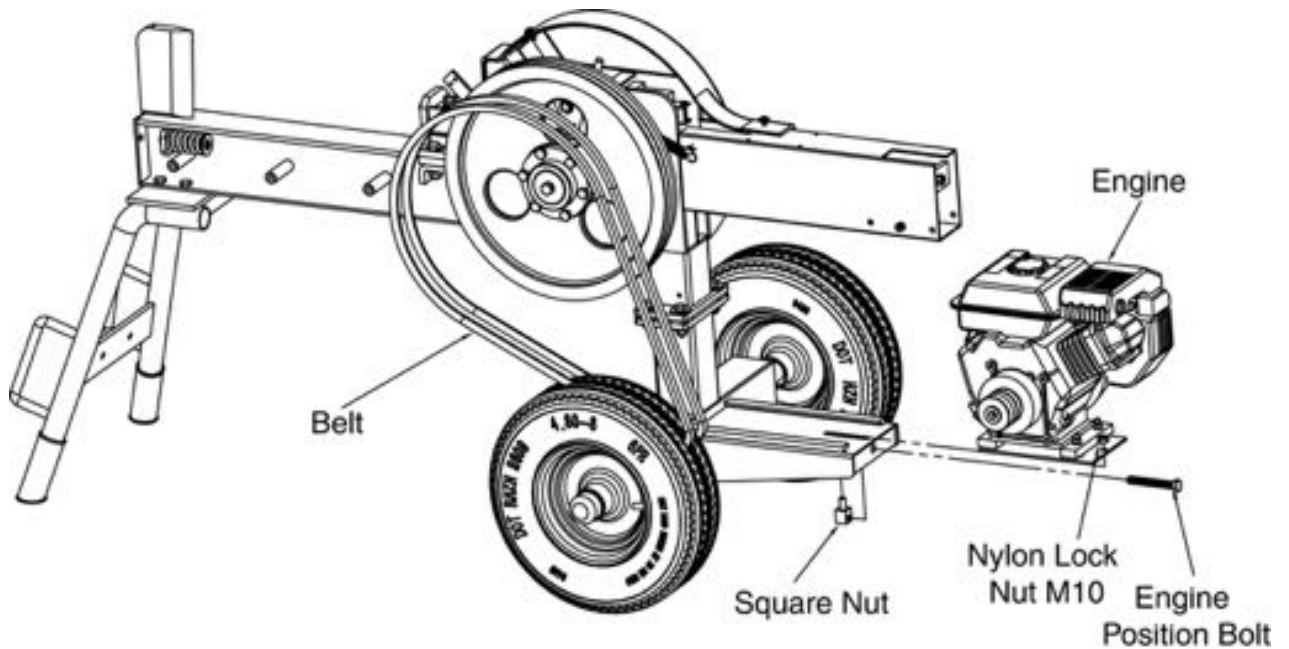
1. Attach the beam to the axle assembly using hex bolt M10x50(x4), large flat washer Ø10(x8), elastic cushion(x4), lock washer Ø10(x4) and nylon lock nut M10(x4). **Tighten all hardware.**

Note: Beam to axle bolts should be tightened 1/2 turn past snug for best performance of vibration dampeners, suggested torque is at the range of 12 to 13 lb. ft. (16-18 N. m.)



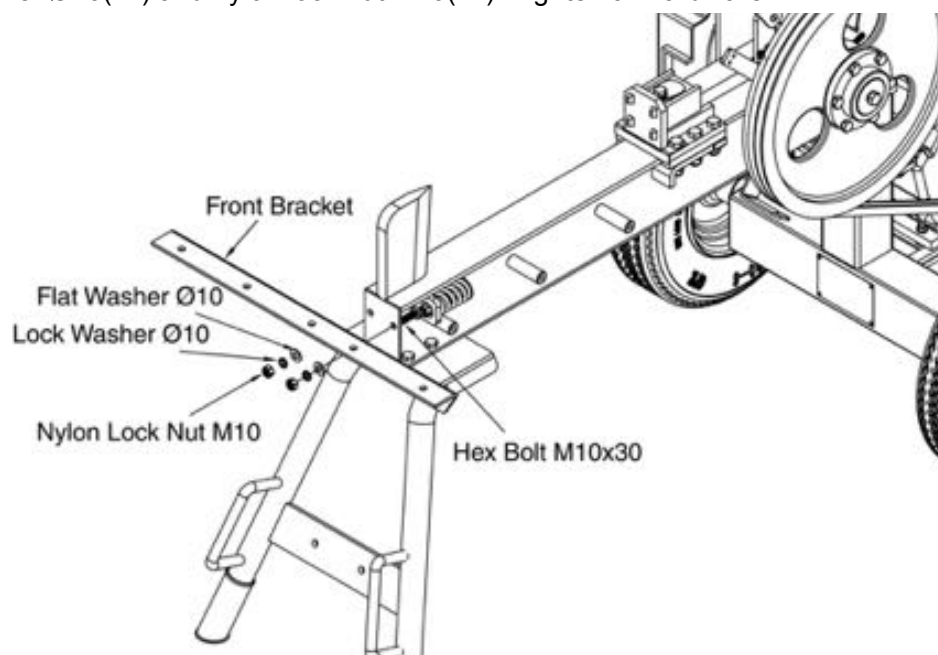
STEP 4: Mount Engine and Connecting Belts

1. Insert the engine assembly into slot at the axle assembly, push the engine forward and install square nut(x1) and nylon lock nut M10(x1).
2. Work the belts onto the grooves on engine clutch, ensuring belts stay in corresponding grooves on fly wheels.
3. Put on engine position bolt(x1), adjust the belt tension by pushing down the belt by finger ensuring the dent is less than 0.4inch. Once the belt tension is correct, lock engine position bolt in place.



STEP 5: Attach Front Bracket to the Beam

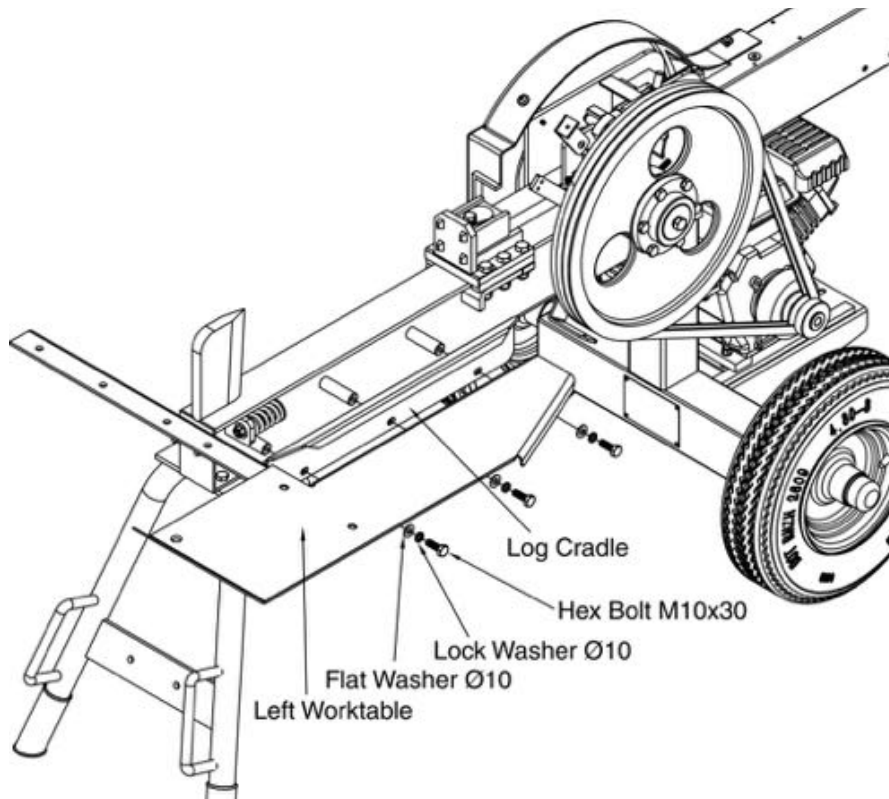
1. The front bracket attaches to front of the beam using hex bolt M10x30(x2), flat washer Ø10(x2), lock washer Ø10(x2) and nylon lock nut M10(x2). Tighten all hardware.



STEP 6: Attach the LeftSide of the Worktable

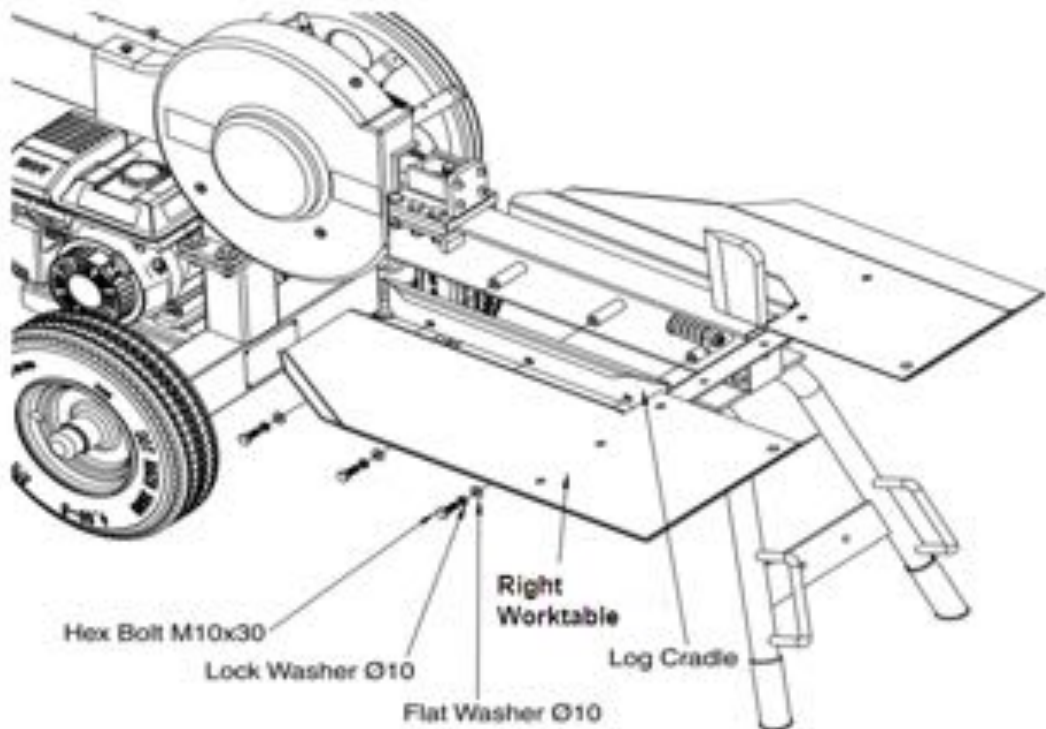
Note: Leave all bolts loose for steps 6, 7 and 8, then tighten all bolts once all parts are installed.

1. Attach log cradle and left side of the worktable to the beam using hex bolt M10x30(x3), flat washer Ø10(x3) and lock washer Ø10(x3), see figure shown below.



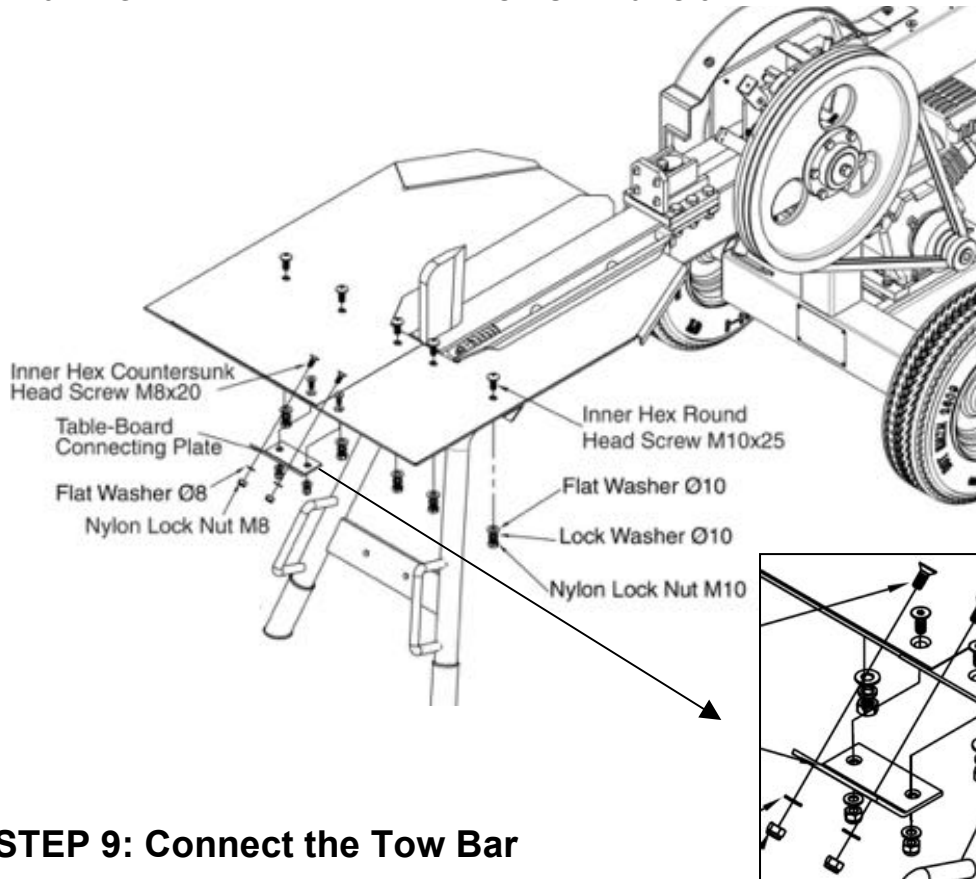
STEP 7: Attach the RightSide of the Worktable

1. Attach log cradle and right side of the worktable to the beam using hex bolt M10x30(x3), flat washer Ø10(x3) and lock washer Ø10(x3), see figure shown below.



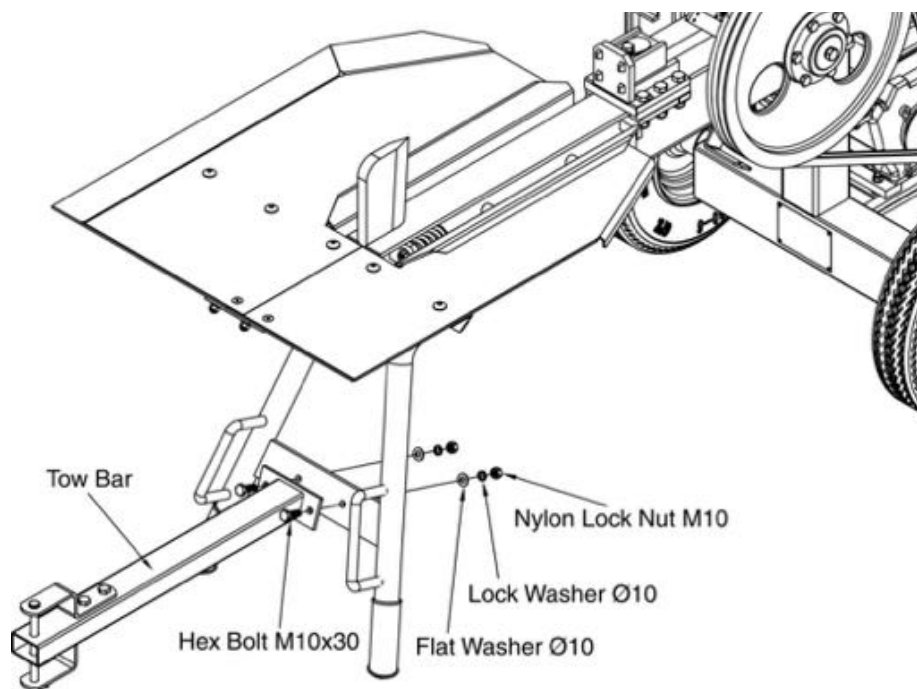
STEP 8: Connect the Right and Left Sides of the Worktable

1. Fix the worktables to the front bracket using inner hex round head screw M10x25(x5), flat washer Ø10(x5), lock washer Ø10(x5) and nylon lock nut M10(x5).
2. Connect the right and left sides of the worktable using the table-board connecting plate(x1), inner hex countersunk head screw M8x20(x4), flat washer Ø8(x4) and nylon lock nut M8(x4), ensuring the oval holes at the table-board connecting plate is upward.
3. **TIGHTEN ALL HARDWARE FROM STEP 6 TO 8.**



STEP 9: Connect the Tow Bar

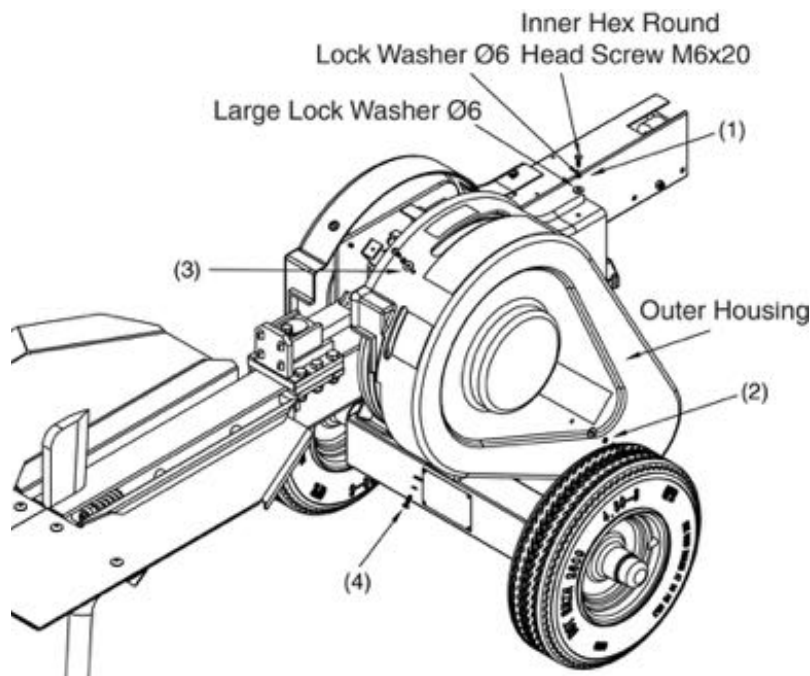
1. Connect the tow bar to the front support leg using hex bolt M10x30(x2), flat washer Ø10(x2), lock washer Ø10(x2) and nylon lock nut M10(x2).



STEP 10: Attach Outer Housing

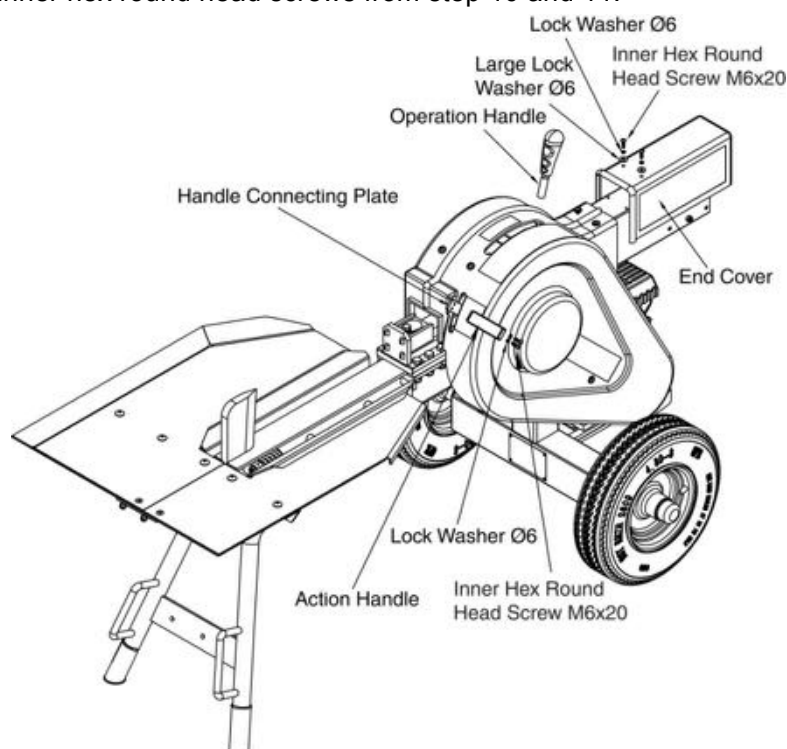
Note: Leave all inner hex round head screws for step 10 and 11 loose until all parts are installed.

1. Attach threaded rod into the holes in the wheel stand and tighten.
2. Attach outer housing using inner hex round head screw M6x20(x4), lock washer Ø6(x4) and large flat washer Ø6(x4).



STEP 11: Attach the End Cover and Handle

1. Attach the end cover to the beam using inner hex round head screw M6x20(x2), lock washer Ø6(x2) and large flat washer Ø6(x2).
2. Attach the action handle to the handle connecting plate, then fixed with inner hex round head screw M6x20(x2), lock washer Ø6(x2).
3. Attach operation handle to the handle assembly.
4. Tighten all inner hex round head screws from step 10 and 11.



STEP 12: Add Engine Oil

1. Make sure the log splitter is on a level surface.
2. Remove oil fill cap/dipstick to add oil.
3. Refer to the separate owner's engine manual for oil capacity; replace oil fill cap/dipstick.
4. Check engine oil level daily and add as needed.

NOTE: During the break-in period check the engine oil level often.

CAUTION

DO NOT attempt to crank or start the engine before it has been properly filled with the recommended type and amount of oil. Damage to the log splitter as a result of failure to follow these instructions will void your warranty.

STEP 13: Add Gasoline to the Engine

1. Use only clean, fresh, regular unleaded fuel with a minimum 85 octane rating.
2. DO NOT mix oil with fuel.
3. Remove the fuel cap using small funnel to slowly add fuel to the tank. DO NOT overfill and allow approximately ¼ inch of space for fuel expansion.
4. Screw on the fuel cap and wipe away any spilled fuel.



DANGER

Log splitter engine exhaust contains carbon monoxide, a colorless, odorless, poison gas. Breathing carbon monoxide will cause nausea, dizziness, fainting or death. If you start to feel dizzy or weak, get to fresh air immediately.

Operate log splitter outdoors only in a well ventilated area.

DO NOT operate the log splitter inside any building, enclosure or compartment.

DO NOT allow exhaust fumes to enter a confined area through windows, doors, vents or other openings.

DANGER CARBON MONOXIDE, using a log splitter indoors CAN KILL YOU IN MINUTES.



CAUTION

Fuel and fuel vapors are highly flammable and extremely explosive.

Fire or explosion can cause severe burns or death.

Unintentional startup can result in entanglement, traumatic amputation or laceration.

Only use regular unleaded gasoline with a minimum 85 octane rating.

DO NOT mix oil and gasoline together.

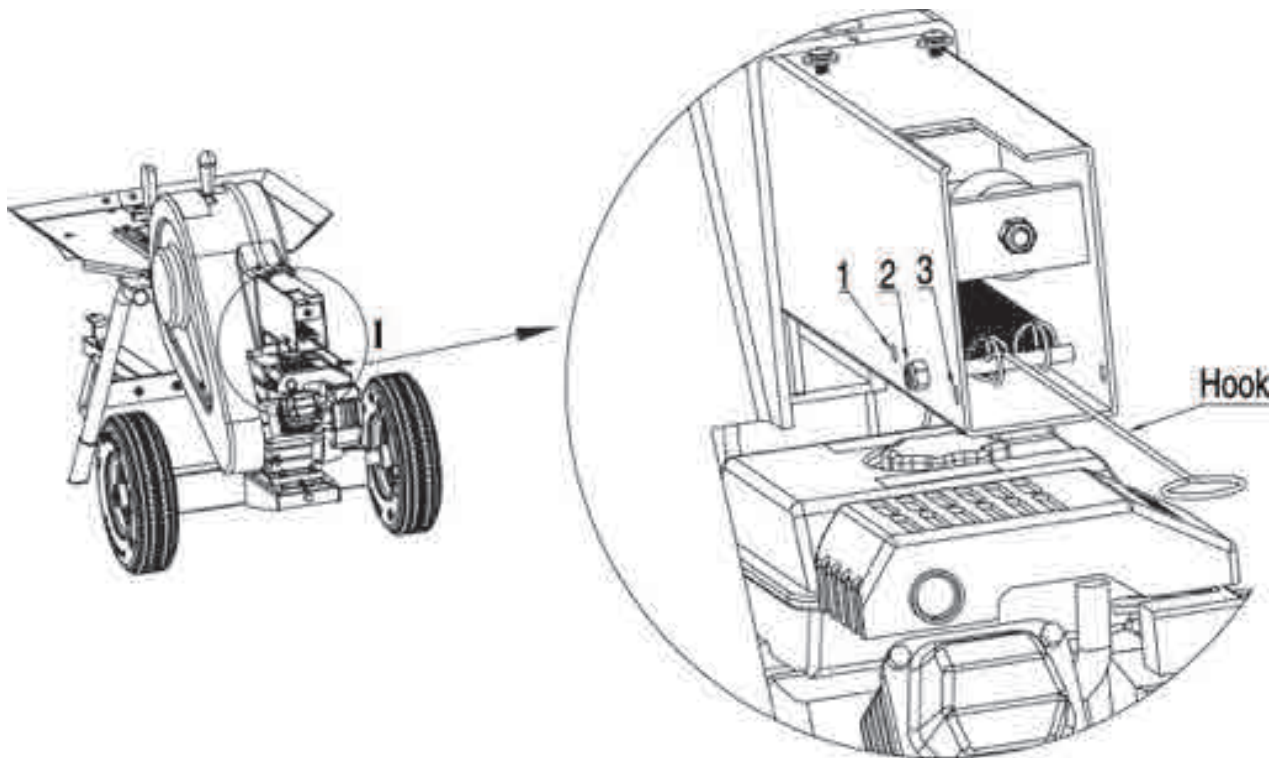
Fill tank approximately ¼" below the top of the tank to allow for fuel expansion.

DO NOT fill fuel tank indoors or when the engine is running or hot.

DO NOT light cigarettes or smoke when filling the fuel tank.

Kinetic Splitter General Information

1. **Break in period** - Break in period for the kinetic splitter is 500 cycles.
2. **Principle of operation** - This unit is designed to outperform the traditional hydraulic 20ton log splitter. Splitting power is derived from 1 spinning fly wheel. When actuation handle is moved to split position, the rotational energy stored in flywheel is converted to splitting force. This unit is fast and powerful. The result is a unit that splits all wood up to 4 times faster than conventional 20ton hydraulic units. All without the need for hydraulic fluid.
3. **Push plate return speed adjustment.** - Take off the end cover and pull the return spring down, adjust the bolt to the necessary position you ever want, #1 hole stands for lowest, quicker on #2 hole and fastest on #3 hole, then pull the return spring back onto the bolt.



Operation Instructions

WARNING

Before operating or using the log splitter, review the instructions below and all safety information. Failure to follow these instructions may result in property damage or injury to the operator or bystanders.

WARNING

ALWAYS use the log splitter for its intended use.
ONLY use the log splitter to split wood logs, length wise with the grain.
NEVER modify, alter or change the log splitter in anyway, modifications will void the warranty.
NEVER attach a rope, cable or other device to the handle on the log splitter.
ONLY operate the log splitter in daylight.
NEVER leave the log splitter unattended while the engine is running.
NEVER operate or let anyone else operate, the log splitter while under the influence of alcohol, drugs, or medication.

USING YOUR LOG SPLITTER

1. Start engine using instructions from engine manual.
2. Advance throttle control maximum speed.
3. **Grab** log by sides and place onto rails against wedge.
4. Push the safety handle down and move the control handle to the SPLIT position to initiate cycle, release handle and the push plate will retract.
5. Push plate automatically retracts at end of stroke. To retract the push plate before end of stroke, return lever to RETRACT position.
6. **DO NOT** at any time carry passengers, sit or stand on the log splitter.
7. Inspect the engine and make sure the engine oil level is correct.
8. Before towing the log splitter the tires need to be fully inflated.

TIRE WARNING

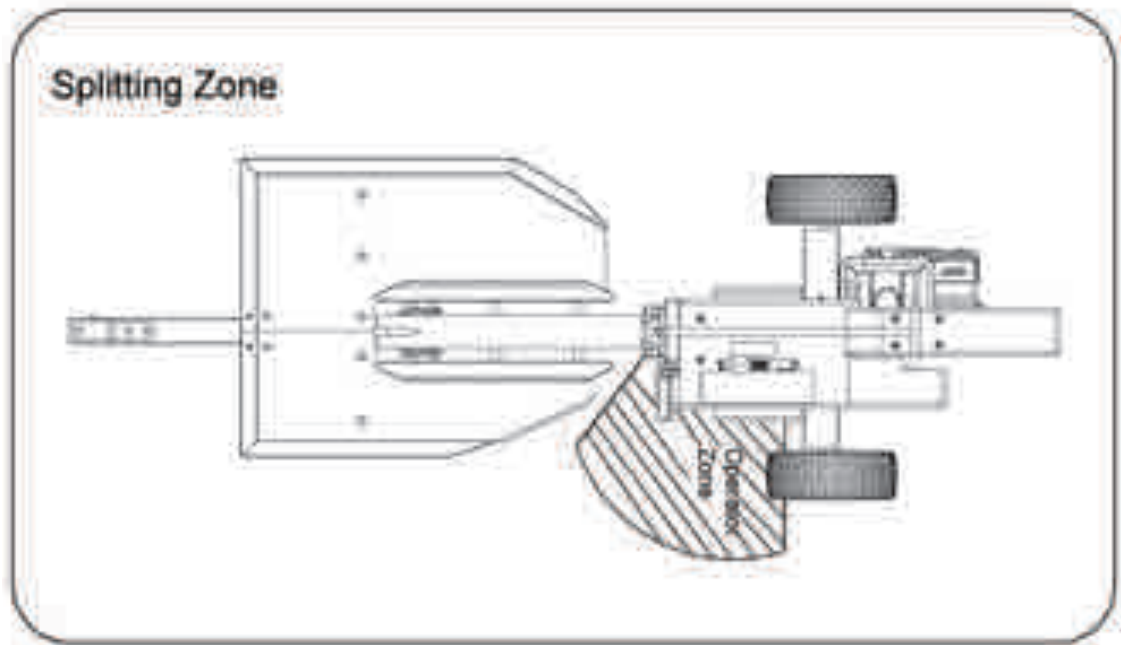
DO NOT over inflate tires. Serious injury can result if tires explode.
DO NOT tow the log splitter if the tires are worn or will not hold air.
DO NOT exceed the maximum 10MPH towing speed.

9. Refer to the vehicle owner's manual for proper safety and towing instructions.

TOWING WARNING

Serious injury or death can occur if towing safety rules are not followed.
Always use safety chains, secure and lock the log splitter to the vehicle hitch before moving.
Drive safely. Be aware of the added length of the log splitter.
Never exceed the maximum travel speed of 10MPH.
Never ride or transport cargo on the log splitter.
Turn off the vehicle before leaving the log splitter unattended.
Block the log splitter wheels to prevent unintended movement.

10. The log splitter needs to be on a dry and level surface with good footing. Do not work on mud, ice, brush or snow. When using the log splitter the work zone must be maintained at all times.



NOTE: Only one person operates the kinetic log splitter. Keep everyone else outside the splitting zone when operate the kinetic log splitter.

11. Always wear safety gear, eye protection, gloves and work boots when operating the log splitter.
12. Start the engine and make sure the log splitter is on level ground before operating.
13. Make sure hands are clear from the wedge and crush hazard areas.

⚠ CRUSH WARNING

Wedge can cut through skin and break bones. Keep both hands away from wedge and beam slide. Serious accidents can happen when other people are allowed inside the work zone. Keep everyone else out of the work zone while operating control lever.
DONOT wear loose clothing. It can get tangled in moving parts of log splitter.
Only use the log splitter in daylight so you can see what you are doing.

14. Always keep splitting area clean and free of split wood and debris.

Maintenance and Storage

Regular maintenance is the way to ensure the best performance and long life of your machine. Please refer to this manual and the engine manufacturer's owner's manual for maintenance procedures. Service intervals listed in the checklist below supersede those listed in the engine manufacturer's owner's manual.

⚠ WARNING

Before performing any maintenance procedure or inspection, stop the engine, wait five (5) minutes to allow all parts to cool.

MAINTENANCE

- Make sure engine is off before performing maintenance.
- After performing any maintenance, make sure all guards, shields and safety features are put back in place before operating the log splitter.
- Before operating make sure the tires have the **RECOMMENDED TIRE PRESSURE**.
- Regularly grease axle and wheel bearing area or when needed.
- After the wheel bearings have been greased make sure the axle nuts and pins are in place and secure.
- Periodically check all fasteners, housing, chain and belts for tightness and wear.
- Annually clean and lightly lubricate all moving parts or when needed.
- Use a glossy enamel spray paint to touch up scratched or worn painted metal surfaces.
- **Clean the debris on the beam if the push plate cannot return completely, besides, to lubricate the beam by #68 lubricating oil. Split without woods until the push plate can be returned exactly.**



What	When	How
Nuts and Bolts	Each Use	Check for loose bolts, tighten before operating.
Beam	Every 4 cords	Apply small amount of grease to beam surface.
Moving Parts	Each Use	Clear debris from log splitter.

Refer to the Engine Owner's Manual for engine maintenance.

IMPORTANT:

If a part needs replacement, only use parts that meet the manufacturer's specifications. Replacement parts that do not meet specifications may result in a safety hazard or poor operations.

STORAGE

- If storing for extended period of time (> 1 month), add fuel stabilizer or drain fuel.
- Before storing make sure the log splitter is clean and dry for years of trouble free service.
- Lightly lubricate all log splitter surfaces and moving parts to prevent rust.
- Store indoors or protected area during severe weather and winter months.

Troubleshooting

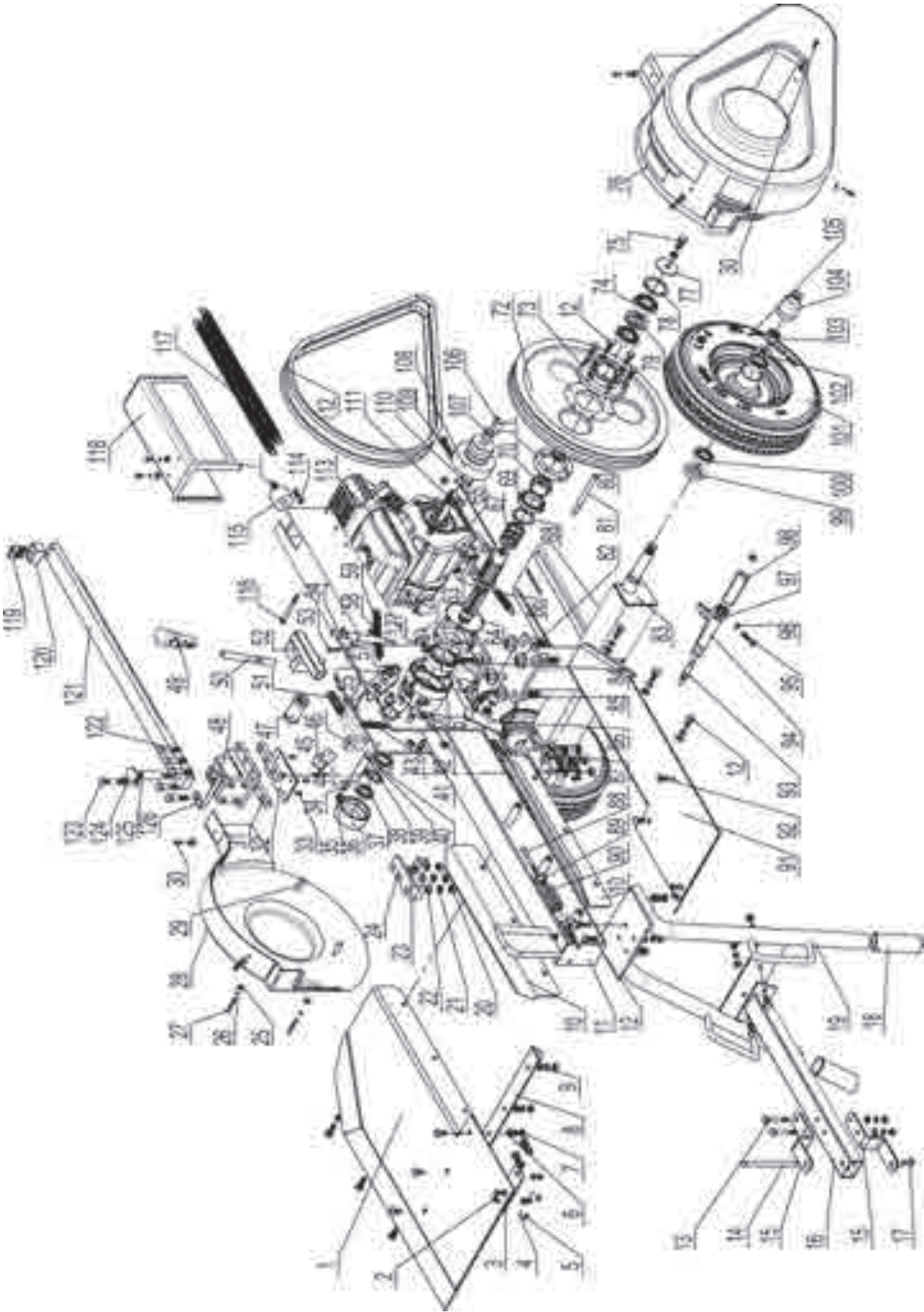
No.	Problem	Cause	Solution
1	Engine will not start	1. Check gas level 2. Check oil level 3. Check fuel ON/OFF 4. Check ON/OFF switch	1. Add gasoline 2. Add oil 3. Reference engine manual
2	Push plate cannot retract or retracts slowly	1. Wood Chips or Debris under push plate 2. Retract spring too loose.	1. Remove debris from the push plate 2. Lubricate oil on the beam. 3. Adjust or replace retract spring.
3	Push plate retract too fast	Retract spring too tight.	Adjust or replace retract spring.
4	No force or little force during splitting	1. #57 Round Nut M40x1.5 is loose 2. Clutch spring deformed	1. Enlarge the clearance and tight the #57 Round Nut M40x1.5. 2. Replace the clutch spring
5	Noise from engagement clutch	1. Clutch clearance is too small 2. Clutch is not completely disengaged	Adjust the clutch clearance or replace clutch spring (See the website for instruction)

Specifications

Cycle Time	4 Sec
Wedge	6.3” Hardened Steel
Max. Log Length	20.3”
Wheel Size.....	16”
Working Height	25.6”
Hitch Type.....	Pin Type
Work Table Length	33”
Max. Towing Speed	10MPH
Overall Size	90.45”x32.28”x41.73”

NOTE: For Engine Details Refer to the Engine Owner’s Manual.

Parts Drawing & Parts List



Parts Drawing & Parts List

Ref#	Drawing No.	Description	Qty
1	LSF2000-00001	Right Worktable	1
2	911608020	Inner Hex Countersunk Head Screw M8X20	4
3	LSF3000-00001	Table-Board Connecting Plate	1
4	9301-08000-DX	Flat Washer Ø8	8
5	9206-08000	Nylon Lock Nut M8	10
6	9301-10000-DX	Flat Washer Ø10	22
7	9206-01000	Nylon Lock Nut M10	26
8	LSF2000-00002	Front Bracket	1
9	9306-10000DX	Lock Washer Ø10	32
10	LSF2000-00003	Log Cradle	2
11	LSF2000-01000	Beam	1
12	9101-10030-8.8DX	Hex Bolt M10x30	20
13	9101-10070-8.8DX	Hex BoltM10x70	2
14	LSF2000-00004	Hitch Pin	1
15	N100-00014	Connecting Plate	2
16	LSF2000-02000	Tow Bar	1
17	9405-03075DX	R Pin Ø3x75	1
18	LSF2000-00006	End Cover	2
19	LSF2000-03000	Front Support Leg	1
20	9206-12000	Nylon Lock Nut M12	8
21	9306-12000DX	Lock Washer Ø12	7
22	9301-12000-DX	Flat Washer Ø12	4
23	LSF2000-00007	Pulling Plate	2
24	LSF2000-00008	Left Press Plate	1
25	9302-06000-DX	Large Flat Washer Ø6	10
26	9306-06000DX	Lock Washer Ø6	15
27	9104-06045-10.9DX	Inner Hex Round Head ScrewM6X45	2
28	LSF2000-00009	Right Out Housing	1
29	LSF2000-00010	Connecting Pipe	2
30	9104-06020-10.9DX	Inner Hex Round Head ScrewM6X20	13
31	LSF2000-00011	Guide Plate Right	2
32	LSF2000-00012	Nylon Plate	1
33	9107-06016	Cross Countersunk Head Screw M6x16	4
34	9306-08000DX	Lock Washer Ø8	1
35	9101-08012-8.8DX	Hex Screw M8x12	1

Parts Drawing & Parts List

Ref#	Drawing No.	Description	Qty
36	LSF2000-00014	Plastic Cap	1
37	9215-03015-FH	Round Nut M30x1.5	1
38	9319-30000-FH	Tab Washer Ø30	1
39	9604-30206	Tapered Roller Bearing 30206	1
40	LSF2000-00015	Axle of Pressure Roller	1
41	LSF2000-00046	Screw	1
42	LSF2000-00043	Bolt	1
43	LSF2000-00047	Tension Spring	1
44	9302-08000DX	Large Flat Washer Ø8	1
45	LSF2000-00016	Connecting Plate 1	2
46	LSF2000-04000	Collision Block	1
47	LSF2000-00017FH	Pressure Roller	1
48	LSF2000-05000	Pushing Plate Assembly	1
49	LSF23S-00028	Operation Handle	1
50	LSF2000-00048	Control Handle Assembly	1
51	LSF2000-00018	Spring	1
52	LSF2000-06000	Small Square Tube	1
53	9101-06035	Hex Bolt M6x35	1
54	LSF3000-00011	Tempering Handle	1
55	LSF3000-00018	Teleflex	1
56	LSF3000-08000	Welding Block	1
57	9304-00014	Circlip for Shaft Ø14	1
58	9119-08030-FH	Eyelet Bolt M8x30	1
59	LSF3000-00019	Handle Spring	1
60	9604-30208	Tapered Roller Bearing30208	1
61	LSF2000-00042	Bearing Pad	1
62	LSF2000-07000	Rotating Disk	1
63	LSF2000-00022	Gear Shaft	1
64	LSF2000-00021	Steel Cable Baffle Ring Ø101x2.8	1
65	LSF2000-13000	Engine Base	1
66	LSF3000-00013	Safety Handle Tension Spring	1
67	LSF2000-00023	Clutch Spring	1
68	9304-05000	Circlip for Shaft Ø50	1
69	9602-61910	Bearing 61910	1
70	LSF2000-00025	Clutch Tooth Outside	1

Parts Drawing & Parts List

Ref#	Drawing No.	Description	Qty
71	LSF2000-08000	Sliding Block	1
72	LSF2000-00026	Flywheel	1
73	LSF2000-00027	Inner Gear of Clutch	1
74	9603-80206	Bearing 80206	2
75	9101-12030-8.8DX	Hex BoltM12x30	1
76	LSF2000-00028	Left Out Housing	1
77	LSF2000-00029FH	Large Baffle Ring	1
78	9308-06200	Circlip for Hole Ø62	1
79	LSF2000-00030	Spacer	1
80	LSF2000-00049	Adjustable Washer	1
81	LSF2000-00024FH	Connecting Rod	1
82	LSF2000-00051	Elastic Cushion	4
83	LSF2000-12000	Wheel Stand	1
84	9101-10050-DX	Hex Bolt M10x50	4
85	9302-10000-DX	Large Lock Washer Ø10 (28x11x3)	8
86	LSF2000-00020	Action Handle	1
87	LSF2000-00019	Right Press Plate	1
88	9105-10080-8.8FH	Inner Hex BoltM10x80	2
89	LSF3000-00030	Buffer Cap	2
90	LSF2000-00044	Buffer Spring	2
91	LSF2000-00032	Left Worktable	1
92	9104-10025-8.8DX	Inner hex round head screw M10x25	5
93	LSF3000-00027	Bolt	1
94	LSF2000-00041	Handle Connecting Plate	1
95	9114-08040-8.8DX	Hex Bolt M8x40	1
96	9201-08000	Hex Nut M8	2
97	LSF2000-09000	Safety Handle Assembly	1
98	N560-00019	Safety Handle	1
99	LSP25-14002	Oil Seal	2
100	L44643	Tapered Roller Bearing	4
101	LSP25-14001	Wheel	2
102	9301-2000-DX	Flat Washer Ø20	2
103	LSP25--00020	Hex Slotted Nut M20x1.5	2
104	LSP25-00009-DX	Axle Cap	2
105	9404-04036	Cotter Pin Ø4x36	2

Parts Drawing & Parts List

Ref#	Drawing No.	Description	Qty
106	9105-5/16-24-1	Inner Hex Bolt 5/16-24-1	1
107	LSF2000-00045	Engine Clutch Sleeve	1
108	LSF2000-00033	Clutch 60-2A	1
109	9101-1290-8.8DX	Engine Position Bolt	1
110	LSF2000-00050	Square Nut	1
111	8801-4.78*4.78*50	Flat Key 4.78x4.78x50	1
112	9701-A1727	A-1727 Belt	2
113		Engine	1
114	9112-10030-8.8FH	Inner Hex ScrewM10x30	1
115	LSF2000-00035	Elastic Bar	1
116	9101-08090-8.8DX	Hex Bolt M8x90	1
117	LSF2000-00034	Reset Tension Spring	2
118	LSF2000-00036	End Cover	1
119	9105-12030-8.8FH	Inner Hex ScrewM12x30	2
120	LSF2000-00037	Collision Block	1
121	LSF2000-00038	Rack	1
122	9101-12055-8.8DX	Hex Bolt M12x55	6
123	9101-10020-8.8DX	Hex Bolt M10x20	1
124	LSF23S-05006	Pressing Plate	1
125	LSF2000-00039	Pushing Plate Pin	1
126	LSF2000-00040	Cover Plate	1
127	9105-08025	Hex Socket Round Head Screw M8x25	1
128	LSF2000-00052	Cushion	1

Limited Warranty

Warranty

For 2 years from the date of purchase YTL International will replace or repair defects in material and workmanship for the original purchaser of the log splitter for Residential use only, **AND 90 days for Commercial use**. For 2 years the engine residential warranty is covered per the engine manufactures warranty. For 1 year from date of purchase YTL International will repair or replace internal system components. The warranty will not apply to any unit which was not assembled correctly, misused, overloaded or which has been used or operated contrary to our instructions, or which has been repaired or altered by anyone other than a service representative authorized by YTL International Inc.

Warranty Exclusions

This warranty does not cover cosmetic defects such as paint, decals or wear items such as tires. This warranty will not cover failures or problems due to acts of God, or events or forces beyond the control of the manufacturer.

Normal Wear Exclusion

The log splitter needs periodic service to perform well. This warranty does not cover repair when normal use has exhausted the life of a part or the equipment as a whole.

Installation, Use and Maintenance Exclusion

This warranty will not apply to parts and/or labor if the log splitter has been misused, neglected, involved in an accident, abused, loaded beyond its limits, modified or assembled incorrectly. Normal maintenance is not covered under this warranty.

Limits of Implied Warranty and Consequential Damage Exclusion

YTL International disclaims any obligation to cover any loss of time, use of this product, freight, or any incidental or consequential claim by anyone from using this log splitter. THIS WARRANTY IS IN LIEU OF ALL OTHER WARRANTIES, EXPRESS OR IMPLIED, INCLUDING WARRANTIES OF MERCHANTABILITY OR FITNESS FOR A PARTICULAR.

An exchange unit will be subject to the original warranty. The length of the warranty governing the exchanged unit will have the date as the purchase date of the original unit. This warranty gives you certain legal rights which may change from state to state. Your state may also have other rights you may be entitled to that are not listed within this warranty.

Contact Information

YTL International Inc.
17517 Fabrica Way Suite J
Cerritos, CA 90703
Phone: (888) 723-6534
Phone: (562) 404-8016
Fax: (562) 404-8013
Email: parts@ytlinternational.com
Website: www.ytlinternational.com

Warranty & Customer Support Questions

Phone: (888) 723-6534